

GENERAL PRESENTATION



The series of BAV vacuum boxes with interchangeable bases has been specifically designed to inspect angled assemblies, whether open or closed, depending on the selected options.

Their versatility allows them to be used across various sectors, particularly in the maritime industry for inspecting ship hulls, tanks, and repair inserts.

The BAV series vacuum boxes are composed of two parts:

- The inspection window
- The sealing base

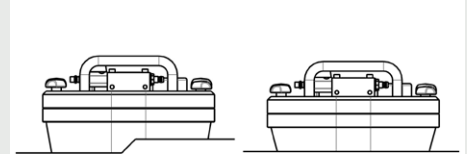
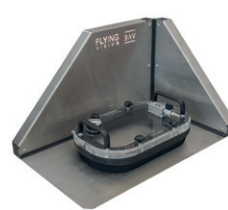
This innovative design allows you to keep the inspection window while changing the base according to the control configuration, thereby enhancing the tool's flexibility and efficiency.



CONTROL CONFIGURATIONS

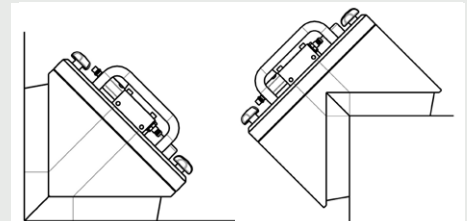
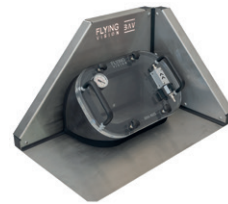
Flat controls:

- Flat welds
- Lap joints
- Internal or external circular welds depending on the curvature radius



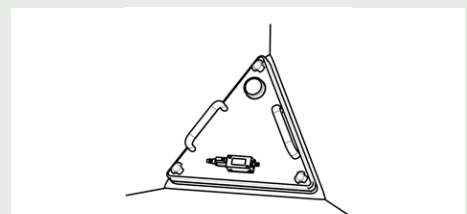
Angle controls:

- Internal angle welds
- External angle welds
- Internal or external angle welds with a varying angle



Corner controls:

- Internal corner welds at 90°
- Internal corner welds where an isosceles plane is present



MAIN FEATURES

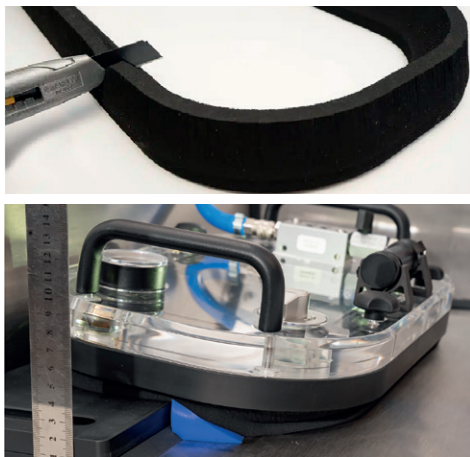
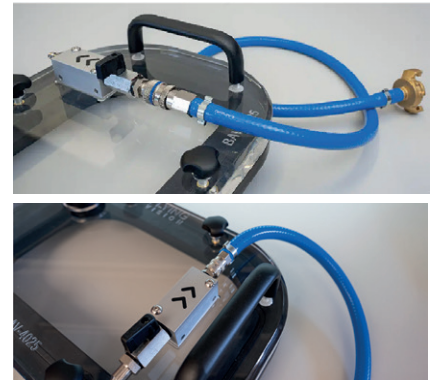


Design in two parts

- Independent inspection window including all elements necessary for inspection processing (vacuum gauge, hybrid vacuum system, and handling grips)
- Height of the inspection chamber at least 2cm to facilitate indication interpretation
- Interchangeable base for:
 - Quick maintenance
 - Modularity / configuration change

Hybrid vacuum system

- Venturi effect vacuum
- Vacuum pump suction
- Airflow regulation valve on the Venturi side
- Aluminum and stainless steel design for enhanced durability
- Integrated into the window to ensure mechanical protection
- Quick coupling Rectus type 21 male (vacuum pump side)
- Quick coupling Rectus type 23 male (Venturi side)



High-performance foam

- High resistance to abrasion
- Flexibility 40/50 shore 00
- Standard foam heights of 35 mm
- High deformation and clearance capacity (around 20mm for standard foam and around 30 mm for 50 mm foam)*
- Innovative geometry to ease application and reduce effort
- High resistance adhesive bonding
- Resistant to hydrocarbons and most chemicals

**Performance achievable with the upcoming "Silicon spacers" accessory*

Integrated pressure gauge

- Integrated into the window for mechanical protection
- Easily removable with one nut
- Measurement range from 0 to -1 Bar
- Calibration certificate available as an option



Control valve

- Precise adjustment of the vacuum pressure using either the Venturi effect or a vacuum pump
- Release valve for eliminating the vacuum and immediately detaching the vacuum box



GENERAL OPTIONS



LED Lighting – Ref: BAV-A050

- Removable LED lighting with battery
- USB-C charging port
- Diffuser to reduce reflections
- Light temperature 4500°K
- Adjustable from 500 to 15000 Lux
- 6 hours of battery life at 2500 Lux
- IP68 protection



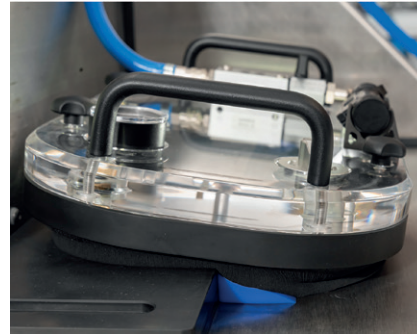
Rugged Transport Cases

Rugged transport cases with a custom-made insert to fit the vacuum box, preventing movement.

These cases can transport several bases depending on the version



Silicon spacers kit for lapweld – Ref: BAV-A090



We have developed a kit of silicone spacers designed to inspect your lap welds with thickness variations of up to 25 mm.

Our silicone spacers feature an innovative design and flexibility, allowing them to adapt easily to all welding and bevel configurations.

Pressure Gauge with Calibration Certificate – Ref: BAV-A030-2

Pressure gauge with a verification certificate for your standardized inspections.



ACCESSORIES

Réf: PAV-B8-220 Field dry vane vacuum pump – 8m³/h – 220V 50/60Hz

Réf: PAV-B8-220 Field dry vane vacuum pump – 8m³/h – 110V 50/60Hz

Réf: BAV-ACS-07 2 m extension – venturi air circuit – quick-release female connector rectus 23 / claw coupling

Réf: BAV-ACS-04 10 m extension – venturi air circuit – quick-release female connector rectus 23 / claw coupling

Réf: BAV-ACS-05 20 m extension – venturi air circuit – quick-release female connector rectus 23 / claw coupling

Réf: BAV-ACS-06 30 m extension – venturi air circuit – quick-release female connector rectus 23 / claw coupling

Réf: BAV-A090 Silicon spacers set – for overlap and double-overlap clearance up to 35mm.

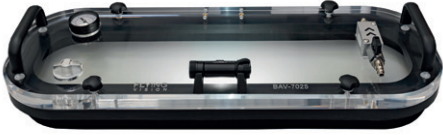
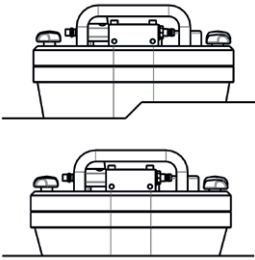
▶ LEAK TESTING PRODUCT RANGE

▶ VACUUM BOX


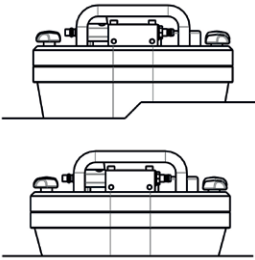
FLYING VISION

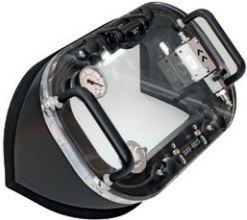
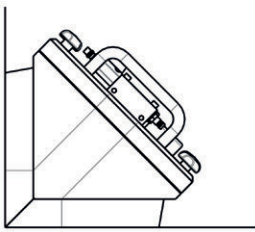
PRODUCTS


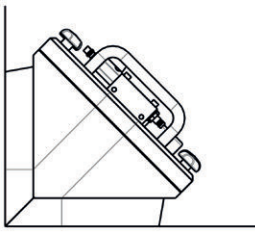
BAV7025 Series Kits


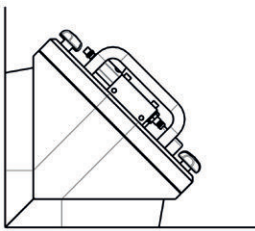
Reference / Designation	Control Configuration	Specifications
Réf: BAV-A100-001 BAV7025 - Flat vacuum box kit 		Dimensions 700 x 250 x 130 mm Weight 7.2 kg Foam Height 35 mm Foam Hardness 40/50 Shore 00 Max Controllable Height 20 mm* Min Control Radius 8 m

BAV4025x Series Kits

Reference / Designation	Control Configuration	Specifications
Réf: BAV-A200-001 BAV4025 - Flat vacuum box kit 		Dimensions 400 x 250 x 130 mm Weight 4.5 kg Foam Height 35 mm Foam Hardness 40/50 Shore 00 Max Controllable Height 20 mm* Min Control Radius 2.5 m


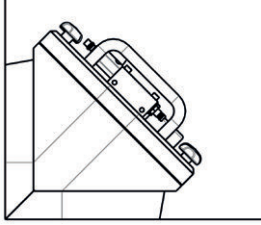

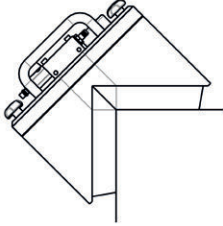

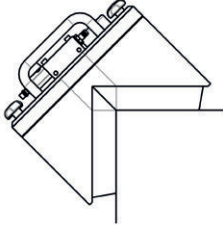
Réf: BAV-A300-2 BAV4025A - 70° angle vacuum box kit 		Dimensions 400 x 250 x 300 mm Weight 6.5 kg Foam Height 35 mm Foam Hardness 40/50 Shore 00 Nominal Control Angle 70° Max Controllable Angle ≈ 65° à 80°
--	---	--

Réf: BAV-A300-1 BAV4025A - 90° angle vacuum box kit 		Dimensions 400 x 250 x 250 mm Weight 6.2 kg Foam Height 35 mm Foam Hardness 40/50 Shore 00 Nominal Control Angle 90° Max Controllable Angle ≈ 80° à 100°
--	---	---

Réf: BAV-A300-3 BAV4025A - 110° angle vacuum box kit 		Dimensions 400 x 250 x 220 mm Weight 6 kg Foam Height 35 mm Foam Hardness 40/50 Shore 00 Nominal Control Angle 110° Max Controllable Angle ≈ 100° à 120°
---	---	---

PRODUCTS


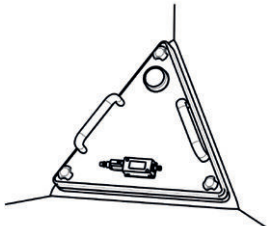
BAV4025x Series Kits

Reference / Designation	Control Configuration	Specifications	
Réf: BAV-A300-4 BAV4025A - 130° angle vacuum box kit 		Dimensions Weight Foam Height Foam Hardness Nominal Control Angle Max Controllable Angle	400 x 250 x 190 mm 5.8 kg 35 mm 40/50 Shore 00 130° ≈ 120° à 140°
Réf: BAV-A300-5 BAV4025A - 220° angle vacuum box kit 		Dimensions Weight Foam Height Foam Hardness Nominal Control Angle Max Controllable Angle	400 x 250 x 190 mm 6.2 kg 35 mm 40/50 Shore 00 220° ≈ 210° à 230°
Réf: BAV-A300-6 BAV4025A - 270° angle vacuum box kit 		Dimensions Weight Foam Height Foam Hardness Nominal Control Angle Max Controllable Angle	400 x 250 x 250 mm 6.2 kg 35 mm 40/50 Shore 00 270° ≈ 260° à 280°

Optional Bases for the BAV4025x

Reference	Designation
Réf: BAV-A220-1	Complete base for BAV4025x - 180° Angle / flat base - Foam height 35mm
Réf: BAV-A220-2	Complete base for BAV4025x - 180° Angle / flat base - Foam height 50mm
Réf: BAV-A320-2	Complete base for BAV4025x - 70° Angle - Foam height 35mm
Réf: BAV-A320-1	Complete base for BAV4025x - 90° Angle - Foam height 35mm
Réf: BAV-A320-3	Complete base for BAV4025x - 110° Angle - Foam height 35mm
Réf: BAV-A320-4	Complete base for BAV4025x - 130° Angle - Foam height 35mm
Réf: BAV-A320-5	Complete base for BAV4025x - 220° Angle - Foam height 35mm
Réf: BAV-A320-6	Complete base for BAV4025x - 270° Angle - Foam height 35mm

BAV40C Kits series

Reference / Designation	Control Configuration	Specifications	
Réf: BAV-A400-001 BAV40C - int. corner vacuum box kit 		Dimensions Weight Foam Height Foam Hardness Controllable Angle	490 x 270 x 130 mm 4.5 kg 15 mm 40/50 Shore 00 Internal corner at 90° or corner where the 3 sides form an isosceles plane

▶ LEAK TESTING PRODUCT RANGE

▶ VACUUM PUMP PAV-B8-220 / PAV-B8-110

FLYING VISION



We offer an ultra high-performance dry vacuum pump (8m³/h - 150 mbar vacuum) in 220V and 110V, perfectly suited for the most demanding field conditions, with optimal reliability and minimal maintenance.

Its dry vane vacuum system eliminates the need for oil lubrication, allowing the pump to operate in any orientation without the risk of failure or environmental contamination.

Our PAV-B8 vacuum pump will be perfect for your vacuum box leak testing applications and can also meet a wide range of other

Uncompromising reliability, durability and performance

High Performance

Nominal airflow of 8 m³/h and an ultimate vacuum of 150 mbar

Low Maintenance

100% oil-free operation with self-lubricating graphite vanes

Reinforced Design

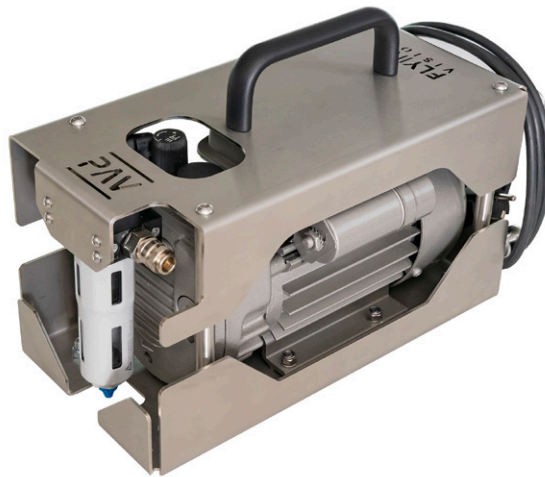
Compact and robust stainless steel casing

Quiet Operation

Noise level of 58 dB at 50 Hz

Low Vibrations

Single-shaft direct drive system



Quick Pneumatic Connection

Rectus 21 Male Stainless Steel

Adjustment Valve

Adjustable minimum vacuum valve

Exhaust Valve

Automatic dust-proof system

Filtration System

Dual-phase filter for particles/water

Power Supply

Reinforced polyurethane cable

Ruggedness

Reinforced casing, extended durability, and minimal maintenance for the most challenging

All-in-One Design

All systems, including the start-up control and pneumatic connections, are integrated and protected within the casing. This maximizes compactness and ensures easy handling, transport, and storage.



KIT COMPOSITION



PAV-B8-220 / PAV-B8-110
main body including:

- Aluminum carry handle
- On/off switch
- Power cable approximately 1.8m
- Vacuum regulation valve
- Dust-proof exhaust valve
- Dual-phase filter for moisture/dust
- Quick connection system
Rectus 21 Male



GENERAL SPECIFICATIONS

Vacuum pump generator type:	Dry vane vacuum pump with self-lubricating, graphite composite vanes
Materials:	Stainless steel, aluminum
Dimensions:	40 x 17 x 23 cm
Weight:	15 kg
Ultimate vacuum:	150 mbar
Nominal airflow:	8 m ³ /h
Power supply / electrical power:	230V and 110V 0.35kW at 50Hz and 0.42kW at 60Hz
Connection type:	Rectus 21 Male quick coupling
Protection rating:	IP54
Certifications:	CE - UKCA

